



- **Optimal Two State Charging**
- **State of Charge/Service LEDs**
- **Low Standby Battery Drain**
- **Customizable Charge Voltage**
- **Optional Control/Status Signals**
- **Optional Temp Compensation**
- **Vibration Resistant**
- **Reverse Polarity Protected**
- **Over Temperature Protected**
- **Over Current/Voltage Protected**
- **Waterproof-Hermetically Sealed**
- **UL/CSA1236 Certified**
- **Full Two Year Warranty**

### Description

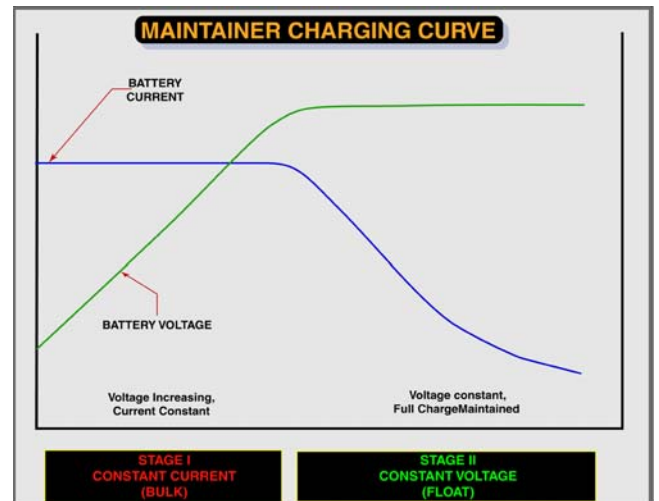
The CT150-4 is a rugged, waterproof and sophisticated maintenance lead-acid battery charger. With a wide operating temperature range (-20C to 50C) and UL/CSA1236 certification, this product is especially suited for high end industrial applications. The CT150-4 is factory programmable to accom-

modate different charging voltages and an LED display to indicate status. The CT150-4 precisely controls charging voltage and current to insure battery maintenance. The charger may be left connected indefinitely to the battery, maintaining battery capacity at all times.

### Charging Specifications

PARAMETER	DESCRIPTION/CONDITIONS	MIN	NOM	MAX	UNITS
$V_{FL}$	Float voltage, $I_{OUT} < 1.0 A$ , 25 C	26.8	27.2	27.4	VDC
$I_{FS}$	Fast charge current, $V_{BATTERY} = 24V$	.80		1.0	Amps
$I_{SBY}$	Standby Current, AC Off			0.5	ma

**Charging Algorithm:** Supplies constant current to battery until  $V_{FL}$ . Transition to Maintenance Mode follows and regulates and maintains battery voltage at  $V_{FL}$ .



# CT150-4 Datasheet

## Input Specifications

PARAMETER	DESCRIPTION/CONDITIONS	MIN	NOM	MAX	UNITS
AC Voltage	47 - 63Hz	180	220	250	VAC
Input Current	180VAC, 28VDC Output		0.45		Amps

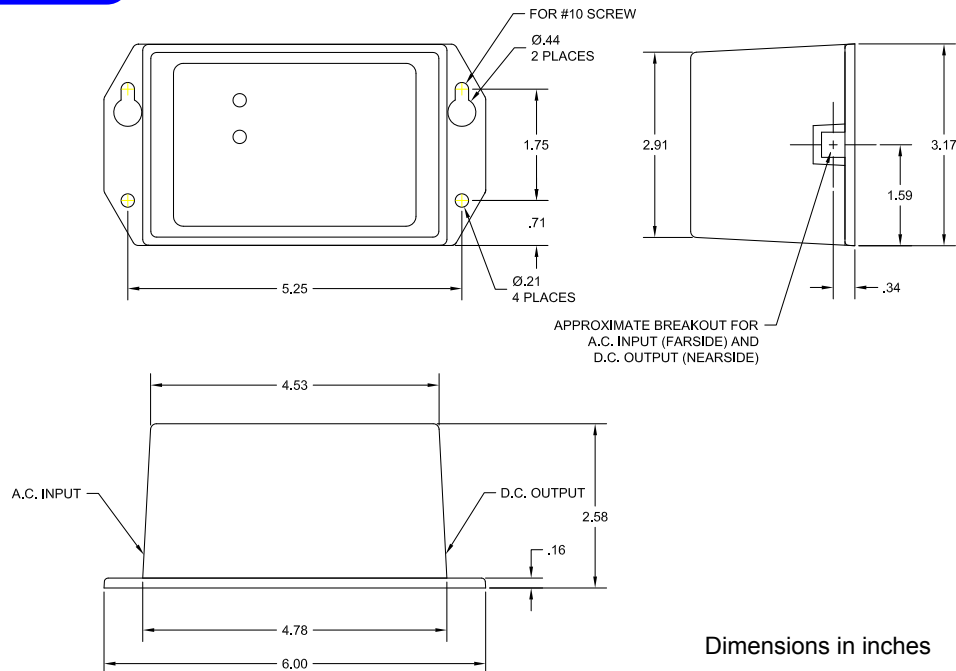
## Environmental Specifications

PARAMETER	CONDITIONS
Storage Temperature	-40C - 80C
Operating Temperature	-20C - 50C
Relative Humidity	0 - 95C Relative Humidity (non-condensing)
Input to Output/Chassis Voltage Isolation	2KV (leakage current less than 1mA)
Output to Chassis Voltage Isolation	50V ( can be increased/ consult factory)

## LED Indicators

PARAMETER	RED	GREEN
Battery Connected		Float
Service (Return to factory)	On	

## Outline and Mounting



PLEASE NOTE: Chargetek products are not authorized for use as components in life support systems, hazardous environments, nuclear control systems or other similar applications without the express written consent of the president of Chargetek, Inc. The appearance of products, including safety agency certifications pictured on labels, may change depending on the date manufactured. Specifications are subject to change without notice.